

Model	Description	List ex VAT
Powered Digital TD Controllers		
	<p>These brand new, high-powered four channel TD controller amplifiers provide cost effective integration of command, control, protection and amplification of all Nexo loudspeaker systems. More than two years of research have yielded significant DSP innovations which allow multiple voltage, current and temperature sense lines to protect the power supply, amplifier and loudspeakers. Employing Yamaha's EEEngine technology, the NXAMP offers the sonic purity of conventional class AB but with heat dissipation equalling class D. Available in 4x1 and 4x4 format, the amplifiers deliver power where it matters most: at the output. Best of all, the Speakon outputs are automatically configured depending on the chosen loudspeaker set-up. Easy just got easier.</p> <p>Also has the option for EtherSound networking so signals can remain in the digital domain from console to amplifier output.</p>	
	<p>4 channels, 2 by 2 bridgeable TD Controller/Power Amplifier 3U Max output power (8 Ohms) 4 x 600W Max output power (4 Ohms) 4 x 900W Max output power (2 Ohms) 4 x 1300W Power consumption (1/8 power) 1100W</p>	£3,363.00
	<p>4 channels, 2 by 2 bridgeable TD Controller/Power Amplifier 4U Max output power (8 Ohms) 4 x 1900W Max output power (4 Ohms) 4 x 3300W Max output power (2 Ohms) 4 x 4000W Power consumption (1/8 power) 3000W</p>	£6,724.00
	<p>The rear panel expansion slot of the NXAMP 4x1 Powered TDcontroller allows for the easy addition of NEXO's new generation EtherSound card, the NXES104. This new generation of EtherSound hardware offers device-to-device communication and powerful new functions including: ring topology and a third remote control port that will allow a computer to be connected anywhere in the chain when both EtherSound ports are already being utilised.</p>	£873.00
Analogue Controllers		
	<p>Analogue precision controller for specifically engineered for PS8 systems. Offers increased SPL and operational reliability to achieve superior performance of the system.</p>	£652.00
	<p>Analogue precision controller for specifically engineered for PS10 systems. Offers increased SPL and operational reliability to achieve superior performance of the system.</p>	£652.00
	<p>Analogue precision controller for specifically engineered for PS15 systems. Offers increased SPL and operational reliability to achieve superior performance of the system.</p>	£652.00
	<p>The GeoS12 TD controller is based on the PS TD controller design and provides full control for the Geo S12 and associated sub-bass. Features 2 inputs, mono output for Sub section and stereo output for Geo S12 system.</p>	£652.00



Digital Controllers

NX.NX242

The NX242 provides crossover, sensed amplifier control and system alignment, along with peak limiter, delay and array EQ, displacement and temperature protection on every channel. It features 4 amplifier sense inputs and the internal memory holds up to 80 presets. Firmware upgrades can be downloaded from the Fuzion website and are uploaded to the controller via RS-232. The NX242 is mandatory for use with Alpha / Alpha-E and all systems in the Geo range. It can be used with all current Nexo loudspeaker systems instead of their proprietary analogue controllers

£2,068.00

NX.NXTENSION-ES4

Increases NX242 processing capacities and adds Digital Inputs/Outputs plus remote control functions via an Ethersound network. The Ethersound Interface provides 4 digital inputs and outputs (24bit/48KHz.) with digital audio distribution (64 channels) over Ethernet and ultimate low propagation delay allowing its use in the most demanding of live audio applications. In addition to this, the interface includes full network or local remote control management of channel adjustment and remote control of all NX242 parameters. NX control and monitoring software is available as a free download.

£1,496.00

NX.NX242ES4

Digital TD Controller with NXtension Ethersound Board installed.

£3,192.00

45N Wedge Monitor Series

NX.N12

The new NEXO 45N Series is the world's first line monitor product line, bringing all the benefits of line array technology to the stage. Unlike a conventional high frequency waveguide in which the exit is rectangular, NEXO's waveguide forms a 'smile', enabling cabinets to be linked together to form arrays with no interference between wavefronts.

£2,871.00

The 45N Series offers very high headroom before feedback and focusses coverage only where it's needed, resulting in lower acoustic power on stage. SPL and frequency response are consistent up to 2.5m back.

An ingenious magnetic locking system joins multiple monitors together to form arrays. The compact, low profile design is less conspicuous than conventional monitors (ideal for live TV production) and the 45N12 features a non-slip base with a skid system and ergonomic handle for easy repositioning on stage.

NX.N12PW

As above with white painted finish

£3,223.00

NX.45T-CASE12

Flight case for 2 x 45N12 wedge monitors.

£753.00

PS-R2 Series



NX.PS-8-R2

High-power speaker with new 8" LF and 1" HF low magnetic emission Neodymium drivers for light weight and negligible magnetic leakage. The rotatable, asymmetrical horn and unique cabinet architecture ensure versatility and adaptability for both PA and stage monitoring applications. Two-way passive 8 Ohm design uses a single amplifier channel for simpler installation and lower cost. Sophisticated control electronics ensure reliable, linear operation. Supported with a full range of mounting and flying accessories.

Specifications:

Frequency Response: 69Hz - 19kHz +/-3dB
Sensitivity (1W @ 1m): 96dB SPL Nominal (94dB Nominal Wideband)
HF Dispersion: 50° - 100° Horizontal x 55° Vertical with rotatable horn
Nominal Impedance: 8 Ohms
Recommended Amplifier Power: 200W - 500W @ 8 Ohms

£881.00

NX.PS-8-R2-W

PS-8 with white painted finish.

£915.00



NX.LS-400

Compact, magnetically shielded 12" Neodymium subwoofer with 35mm pole socket mounted on top of the cabinet. Extends system response to 40Hz. 2 x NL4MP 4 pole Speakon for in/out.

Specifications:

Frequency Response: 43Hz - 120Hz +/- 3dB
Sensitivity 1w @ 1m: 99dB SPL
Recommended Amplifier Power: 300W to 700W @ 4 Ohms
Nominal Impedance: 6 Ohms
Dimensions (HxWxD): 388 x 500 x 406mm

£954.00



NX.PS-10L-R2

The new PS10-R2 loudspeaker can be safely driven with up to 1250 Watts of amplifier power, yet is only half the weight and volume of common trapezoidal systems. The dispersion, architecture and weight balance of the PS10-R2 are designed to provide both exceptional PA and stage monitor performance from a single product without compromise. This flexibility is realised by a proprietary constant directivity asymmetrical dispersion horn, easily rotatable by the user. Coupled with the horn's unique progressive horizontal and vertical dispersion, the most suitable pattern can be selected for vertical or horizontal PA usage or wedge monitoring. The 2-way passive 8 Ohm design uses a single amplifier channel to deliver bi-amped performance for less money, space and complexity. Available in left and right-hand versions for a true stereo image and supported by a full range of mounting and flying accessories.

Specifications:

Drivers: 10" Shielded Neodymium LF, 1" HF
Frequency Response: 65Hz - 20kHz +/-3dB
Sensitivity (1W @ 1m): 99dB SPL Nominal (97dB Nominal Wideband)
HF Dispersion: 50° - 100° Horizontal x 55° Vertical with rotatable horn
Nominal Impedance: 8 Ohms
Recommended Amplifier Power: 500W - 1250W @ 8 Ohms

£1,208.00

NX.PS-10R-R2

Right-hand version of the PS10-R2 with black painted finish.

£1,208.00



NX.LS-600

Compact 15" long excursion Neodymium subwoofer with 35mm pole-mount socket and flying points to replace the LS-500. Extends system response to 38Hz. 2 x NL4MP 4 pole Speakon for in/out.

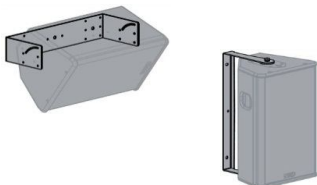
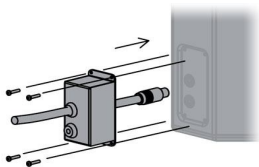
Specifications:

Frequency Response: 40Hz to 110Hz +/- 3dB
Sensitivity 1w @ 1m: 101dB SPL
Recommended Amplifier Power: 1000W to 2000W @ 8 Ohms
Nominal Impedance: 8 Ohms
Dimensions (HxWxD): 435 x 688 x 528mm

£1,454.00



No image available



NX.PS-15L-R2

The PS15-R2 is an extremely light and compact cabinet with rotatable constant directivity asymmetrical dispersion horn to provide both PA and stage monitor performance. NEXO's unique Active Full-range Processing enables a 2-way passive 8 Ohm design to deliver bi-amped performance using just one amplifier channel. For maximum power handling, the PS15-R2 can be also operated in active bi-amped mode. Use with the RS-15 sub to extend the bass range to 35Hz Like all NEXO products, the PS15-R2 loudspeaker is designed to work with advanced electronic processors, guaranteeing consistent performance and reliability to the highest standard. Available in left and right-hand versions for a true stereo image and supported by a full range of mounting and flying accessories.

Specifications:

Drivers: 15" LF, 3" HF
 Frequency Response: 50Hz - 18kHz (+/-3dB)
 Sensitivity (1W @ 1m): 102dB SPL Nominal
 Impedance: Passive: 8 Ohms; Active: LF 8 Ohms/HF 16 Ohms (active only available on NXAMP).
 Recommended Amplifier Power: Passive: 1000W - 2000W @ 8 Ohms; Active: LF 1000 - 2000W, HF 250 - 500W.)

£2,038.00

NX.PS-15R-R2

Right-hand version of the PS15-R2 with black painted finish.

£2,038.00

Touring Accessories- PS-R2 Series

NX.SSBRK8

U-bracket for PS8-R2 (includes ADPT adaptor).

£164.00

NX.SSBRK10

U-bracket for PS10-R2.

£170.00

NX.SSBRK15

U-bracket for PS15-R2.

£220.00

NX.ADPT

Hardware adaptor plate for PS8-R2.

£34.00

NX.TTC

Truss clamp adaptor for PS-R2 speakers.

£97.00

NX.XHBRK

Lifting ring for PS-R2 speakers. Includes quick-release pin

£48.00

NX.TCBRK

Truss hook for PS-R2 speakers. Includes quick-release pin

£87.00

Installation Accessories- PS-R2 Series

NX.LBRK8

"L" bracket for PS8-R2.

£41.00

NX.ABRK

Horizontal mounting plate for PS10-R2 and PS15-R2.

£61.00

NX.IPCOV8

IP Box for PS8-R2 and PS10-R2. Upgrades IP cabinet protection rating to IP54.

£91.00

NX.IPCOV15

IP Box for PS15-R2. Upgrades IP cabinet protection rating to IP54.

£105.00

NX.UBRK8

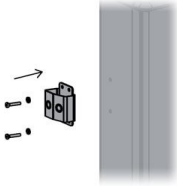
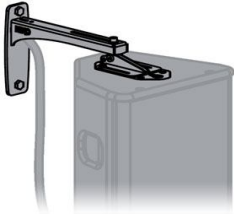
U-bracket for PS8-R2.

£48.00

NX.UBRK10

U-bracket for PS10-R2.

£161.00

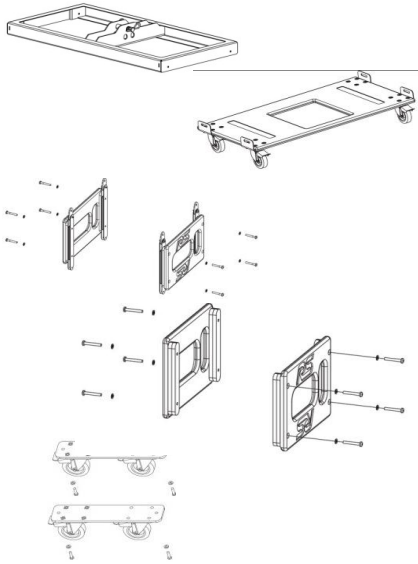


No image available

No image available



NX.WS-8	Fixed hanging bracket for PS8-R2.	£129.00
NX.WS-10	Fixed hanging bracket for PS10-R2.	£164.00
NX.WS-15	Fixed hanging bracket for PS15-R2.	£186.00
NX.ADPT510	Hardware adaptor mounting block for PS8-R2.	£25.00
NX.PLSTD	Pole to mount PS-R2 loudspeaker above LS/RS series subwoofer. Replaces STDPS.	£30.00
NX.PSTAND8	Stand adapter for PS8 (for use with PLSTD).	£27.00
RAY SUB		
	<p>The RS15 is the first product to feature NEXO's patent-pending RAY SUB Technology. Comprised of a 15 inch transducer with a frequency response of 35Hz – 200Hz in omni or 35Hz- 150Hz in directional mode and a sensitivity of 105db SPL, the RS 15 presents an unchallenged versatility for installation and touring requirements.</p> <p>The RS15 sub does not face the same direction while in omni and cardioid mode. In cardioid mode, the RS15 sidewalls (where the rigging system is attached) behave as the cabinet's front and rear face.</p> <p>As such, RS15's cardioid LF and VLF energy propagates from only one end of the enclosure, rather than from the front face. This behaviour is maintained regardless of whether speaker cones are positioned on the side or top.</p>	
NX.RS-15P	15" Geo Sub unit with painted finish.	£2,465.00
NX.RS-15C	15" Geo Sub unit with carpeted finish.	£2,241.00
	<p>Comprised of two 18 inch transducers with a frequency response of 31Hz – 100Hz and a sensitivity of 107db SPL, the RS18 presents an unchallenged versatility for installations and touring requirements where large format sub-bass cabinets are required.</p> <p>Utilised in a stand alone format, RAY SUB Technology allows the same cabinet to be configured for any polar pattern, omni-directional as a standard direct radiating subwoofer when speakers are facing the audience, or highly directional when a speaker cabinet is rotated sideways or upwards. With arrays, RAY SUB subwoofers can be set back to back, front to front, alternate, in vertical columns, and when column length is sufficient, be beam-steered upwards or downwards.</p>	
NX.RS-18PI	2x18" sub with black painted finish. Installation version, handles not included.	£4,039.00
NX.RS-18PT	2x18" sub with black painted finish. Touring version with integrated handles.	£4,299.00
NX.RS-18CI	2x18" sub with carpet finish. Installation version, handles not included.	£3,897.00
NX.RS-18CT	2x18" sub with carpet finish. Touring version with integrated handles.	£4,161.00



No image available

No image available

No image available

No image available

No image available



RAY SUB Accessories

NX.RS15-BUMPER	Bumper for RS-15P/C. Maximum 16 cabinets.	£602.00
NX.RS15-DOLLY	Dolly for RS-15P/C. Maximum 3 cabinets.	£286.00
NX.RS15-PLATES	Rigging and handles set for RS-15 P/C (pair).	£469.00
NX.RS15-HANDLES	Handles set for RS-15P/C (pair).	£232.00
NX.RS15-WHEELS	Two wheels on wood skids for RS-15P/C (pair).	£149.00
NX.RS15-INSP	Cabinet linking kit for fixed installation.	£300.00
NX.RS18-BUMPER	Bumper for use with RS-18 sub	£1,111.00
NX.RS18-DOLLY	Dolly for RS-18 sub	£1,284.00
NX.RS18-PLATES	Pair of plates for RS-18 sub	£1,049.00
NX.RS18-WB	RS-18 wheelboard	£349.00

Loudspeakers- Alpha Series

NX.AL.M3-CF	<p>Extremely lightweight and ultra-compact, the Alpha system delivers astonishing power and clarity. It is also frugal in terms of power as four correctly sized 2 channel amps will power 6x M3/M8, 6x B1 and 2x S2 - enough for one side of a serious output system. Two coverage pattern options - 35 degrees and 80 degrees - enhance flexibility and simple HF horn change converts one to the other. The mandatory NX-242 Digital Controller will run one side of a 4 way active Alpha system. Two 10" mids and one 3" VC neodymium HF driver, all horn loaded in 22.5° trapezoidal cabinet. 2x NL8MP 8 pole Speakons plus 1x NL4MP 4 pole for linking to B1/S2. Carpeted version with flying rails.</p> <p>Specifications: Frequency Response - 190Hz to 19kHz (+/-3dB) Sensitivity 1w @ 1m = 108dB SPL Nominal Peak SPL @ 1m = 143 dB peak Dispersion - 35° x 35° (long throw) Dimensions: 600 x 689 x 754 (mm HWD)</p>	£4,509.00
NX.AL.M3-PF	As per AL.M3-CF but paint finish.	£4,960.00
NX.AL.M8-CF	As per AL.M3-CF but medium Q (directivity) 75 degrees (h) x 45 Degrees (v) as standard configuration. Horn is rotatable.	£4,509.00
NX.AL.M8-PF	As per AL.M8-CF but paint finish.	£4,960.00
NX.AL.B1-CF	<p>Carpeted version with flying rails. Single 15" driver bass cabinet utilising composite curved flared horn. Identical in size and shape to Alpha M3/M8 - weight reduces to 51 kg. 1x NL4MP 4 pole Speakon.</p> <p>Specifications: Frequency Response - 42Hz to 190Hz (+/-3dB) Wideband and 80Hz to 190Hz via NX-242 Sensitivity 1w @ 1m = 106dB SPL Nominal Peak SPL @ 1m = 140 dB peak</p>	£2,766.00
NX.AL.B1-PF	As per AL.B1.CF but with paint finish.	£3,043.00

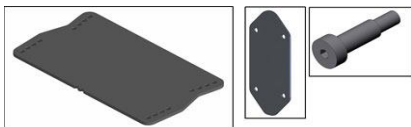
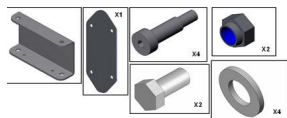
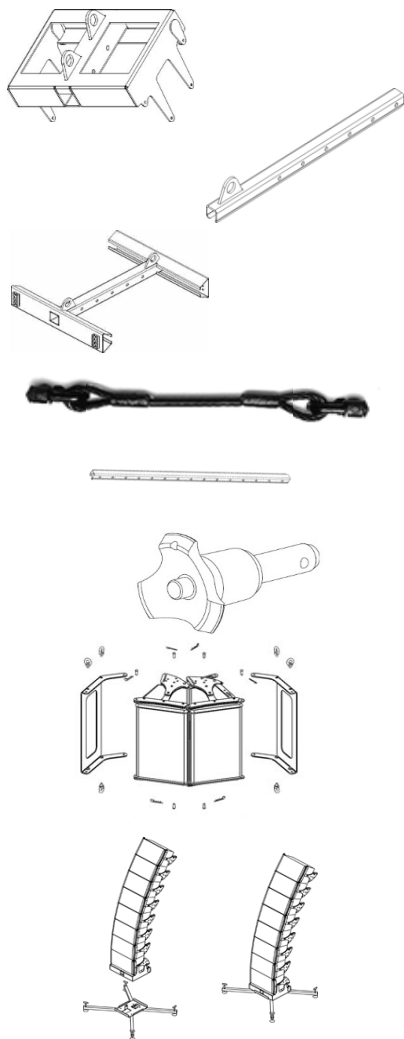


No image available

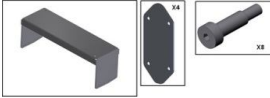
No image available



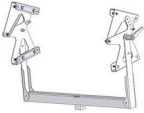
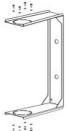
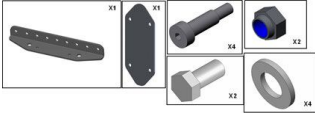
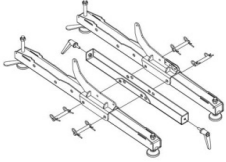
NX.AL.S2-CF	<p>Carpeted with flying rails. Two 18" Long Excursion Woofers in double height format, resonator design cabinet. 1 x NL4MP 4 pole Speakon.</p> <p>Specifications: Frequency Response - 29Hz to 180Hz (+/-3dB) Wideband and 32Hz to 64Hz via NX-242 Sensitivity 1w @ 1m = 105dB SPL Nominal Peak SPL @ 1m = 140 dB peak Dimensions:1200 x 689 x 754 (mm HWD)</p>	£3,424.00
NX.AL.S2-PF	As per AL.S2-CF but with paint finish.	£3,767.00
Accessories - Alpha Series		
NX.AL.XBOW	<p>Main bar for flying Alpha and Alpha E systems. Refer to handbook for maximum hang configurations. Includes - 1 x main bar, connecting arms and pins plus primary straps and hinges.</p>	£1,140.00
NX.AL.XBRIDLE	Clutch chain bridle to attach XBOW to chain hoist.	£295.00
NX.AL.XKIT	1x rear cabinet connecting hinge and 2x connecting straps.	£276.00
NX.AL.WB1	Front cover and wheels for single height format Alpha B1, M3, M8.	£166.00
NX.AL.WB2	Front cover and wheels for double height format Alpha S2 .	£271.00
Loudspeakers- Geo S Series		
NX.GEOS-805	<p>GEO S805 is a compact, high-performance, coherent array element. The patented wavesource horn creates a "virtual source" behind the cabinet and allows combining of the cabinets to create a truly coherent tangential array system.</p> <p>Specifications: Frequency Response: 67Hz to 19KHz (+/-3dB) Sensitivity: 1W/1m = 99dB SPL Nominal peak SPL (1W/1m): 125 - 128dB single cabinet, (configuration dependent). Dispersion: Non coupling plane 120° (80° w/o CDD flanges) Coupling plane is configuration dependent (not usable as a single device). Nominal Impedance: 16Ω</p>	£1,710.00
NX.GEOS-830	<p>GEO S830 is a 30° (in coupling plane) trapezoidal cabinet with black painted finish. Typically rigged below a curved vertical array of Geo S805 for down-fill coverage, the S830 has many other applications. It can be used vertically to create a controlled horizontal coverage via multiple units or a single 3 x S830 cluster will fill a lot of stadium seats in a distributed system. Supplied fitted with adjustable cabinet inter-connecting hardware etc. as per S805.</p>	£1,710.00
NX.CD12-P	<p>Hyper-cardioid sub woofer, painted finish. The CD12 uses two 12-inch neodymium woofers, each controlled by one channel of an NX242 TD Controller, to create a hypercardioid pattern from 40Hz - 160Hz. Advanced signal processing algorithms extend the upper frequency limit of the cardioid pattern and because the woofers are symmetrical, there is no loss of control at low frequencies or high SPL levels. Can be stacked or flown. 2 x NL4MP 4 pole Speakon (in and through).</p> <p>Specifications: Frequency Response - 42Hz to 200Hz (+/-3dB) Sensitivity 1w @ 1m = 102dB SPL Nominal Peak SPL @ 1m = 131 to 134dB (500w to 1200w) LF Dispersion - 120° x 120° Nominal Impedance - 2 x 6Ω Dimensions: 400 x 600 x 754 (mm HWD). Weight: 35kg</p>	£2,533.00
NX.CD12-C	As per CD12-P but with carpeted finish.	£2,303.00
NX.CD12-PW	CD-12 with white painted finish.	£2,581.00



Accessories - GeoS Series		
NX.GEOS-BUMPER	Bumper bar for Geo S805/S830. Attaches to the first cabinet of the hang.	£261.00
NX.GEOS-EXBAR-V2	Bar for Geo-S bumper to angle array forwards/backwards.	£119.00
NX.CD12-BUMPER	Bumper bar for CD12 subwoofers Bar comes complete with one CD-LINK kit comprising 4 x linking "steels".	£466.00
NX.CD12-LINK	Cabinet connection kit for CD12 Kit comprises 4 x linking "steels".	£171.00
NX.CD12-LINKBAR	Extension bar for CD12 flying frame. Used to attach CD12 frame to the Geo-S bumper.	£163.00
NX.BLGEOS	Quick release ball pin for GeoS8, GeoS12 and RS15.	£25.00
NX.GEOS-HRPL	Horizontal Fly Frame. Used to array and fly 2, 3 or 4 Geo S-830 cabinets horizontally to provide 60°, 90° or 120° horizontal dispersion respectively. Vertical dispersion is 120°, 100° asymmetric or 80° depending on the configuration of the CDD (Configurable Directivity Device) flanges in the S-830 cabinet. Kit comprises: End flying plates, Eyelets, Pins and R-clips.	£161.00
NX.GEOS-GRND	Ground Stacking Frame. Allows ground stacked vertical arrays to be assembled, accommodating up to 8 * Geo-S cabinets. 4 collapsing legs with adjustable feet fold up for minimal storage space. Nexo GeoSoft (Version 1 and above) allows the design and simulation of ground stacked arrays. Kit comprises: Mounting plate, 4 legs, 4 feet, all necessary bolts and 2 large bumper pins with R-Clips.	£278.00
Loudspeakers- Geo S12 Series		
	The Geo S12 from Nexo enables users to construct true highly coherent tangent arrays using a box that can also be used standalone. The useability of these units is simply amazing. Boxes can be hung in various permutations using the large array of different hardware. This is a hire company's "dream" box that can be used for almost any application you care to name. Using Nexo's patented "Geo" technology pattern control is predictable in all modes of operation and the box can be modelled for more complex arrangements using Nexo's Geosoft design software.	
NX.GEOS-1210	The Geo S1210 is a 10 degree Tangent Array Module. It comprises 1 x 12" (30cm) Neodymium 16 ohm LF/LM driver and 1 x 3" voice coil, 1.4" throat 16 ohm HF driver loaded by a 5 degree Hyperboloid Reflective Wavesource.	£2,276.00
NX.GEOS-1230	The Geo S1230 is a 30 degree Tangent Array Module. It comprises 1 x 12" (30cm) Neodymium 16 ohm LF/LM driver and 1 x 3" voice coil, 1.4" throat 16 ohm HF driver loaded by a 28.5 degree Hyperboloid Reflective Wavesource.	£2,210.00
Accessories - GeoS12 Series		
NX.ABRK	U bracket for rigid suspension. Includes fixing hardware.	£61.00
NX.GEOS-12-ANPL1	0.20 - 3.15 degree fixed installation angle plates.	£156.00
NX.GEOS-12-ANPL2	5 - 10 degree fixed installation angle plates.	£132.00
NX.GEOS-12-ANPL3	16 - 30 degree fixed installation angle plates.	£131.00



No image available



No image available



NX.GEOS-12-BUMPER	GeoS12 main bumper.	£694.00
NX.GEOS-12-FBUMPER	GeoS12 fixed installation bumper.	£281.00
NX.GEOS-12-FLG	120 degree dispersion flange.	£47.00
NX.GEOS-12-GSTK	Ground Stacking Accessory for up to six Geo S12 cabinets.	£811.00
NX.LBRK	Fixed installation L bracket, includes fixing hardware.	£68.00
NX.GEOS-12-UBRK	Single U Bracket for ceiling or wall mounting.	£169.00
NX.GEOS-12-PSBRK	Pole stand bracket for 2 x GeoS12 cabinets.	£580.00
NX.GEOS-12-SSBRK	Speaker pole stand bracket.	£331.00
NX.TCBRK	Truss clamp adaptor for GeoS12 systems.	£87.00
NX.TTC	Truss clamp for use with GeoS12 systems. Includes quick-release pin.	£97.00
NX.GEOS-12-XBOW	GeoS12 mini crossbow. Please note BL-GEOS quick-release pins are <u>not</u> included.	£401.00
NX.GEOS-12-TLB	GEO S1210/1230 Tension Mode inter-cabinet link bar.	£80.00
NX.XHBRK	Lifting ring for GeoS12 speakers. Includes quick-release pin.	£48.00

All NEXO products are covered by a 2 year manufacturer's warranty from date of first purchase (limited on loudspeakers).
Warranty does not cover misuse.